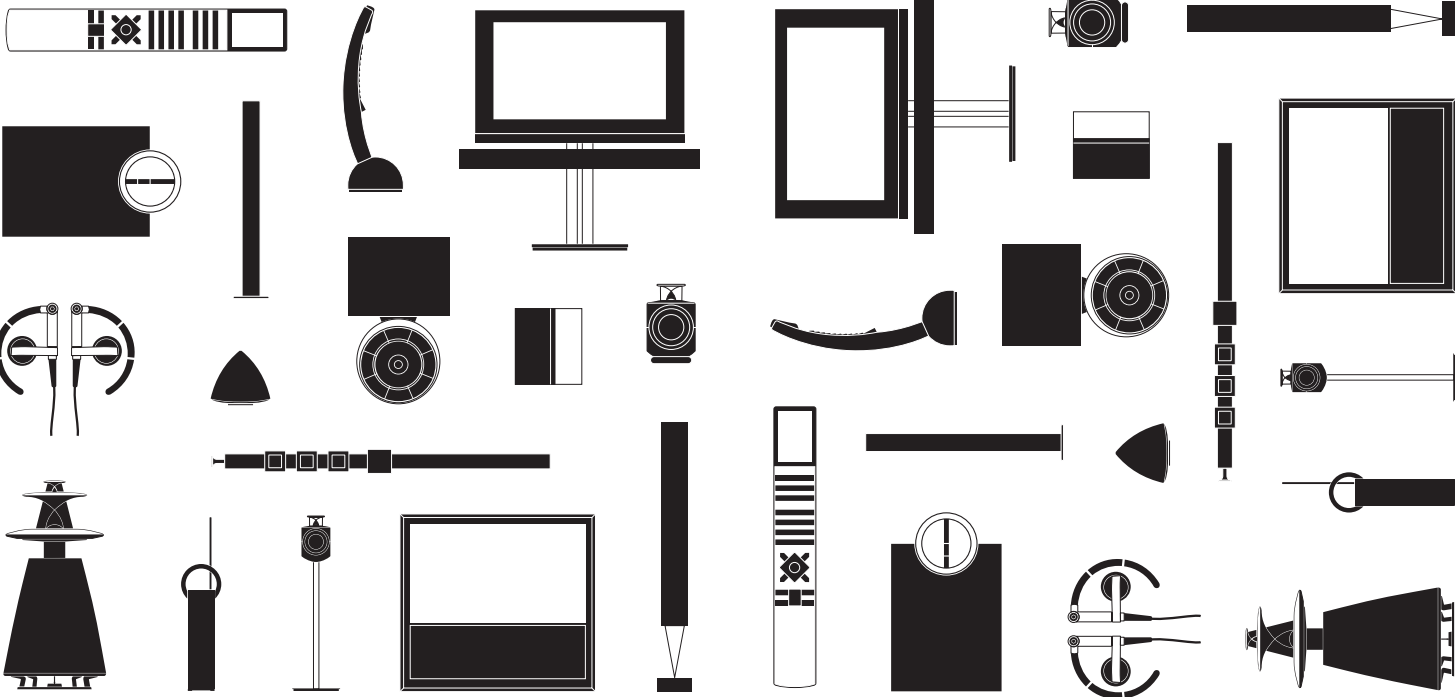


BeoSound 5



BANG & OLUFSEN

Dear Customer

This Getting Started contains information about the daily use of your Bang & Olufsen product. We expect your retailer to deliver, install and set up your product.

In order to use BeoSound 5, it must be connected to the BeoMaster 5. The BeoMaster has its own Getting Started, explaining operation both when connected to the BeoSound and when connected to a television.

When BeoMaster 5 is connected to BeoSound 5, we refer to it as the internal hard disk. Music can be transferred to the hard disk. For this purpose dedicated software is available; BeoConnect. How to use this software is described in the Guide supplied with the software.

Your music system offers more features and functions than described in this Getting Started. Among other things; remote control operation, language settings and sound adjustments. These and other features are described in more detail in a Guide.

All Guides can be found on www.bang-olufsen.com/guides

On www.bang-olufsen.com you can also find further information and relevant FAQs about your product.

Your Bang & Olufsen retailer is your first stop for all your queries.

To find your nearest retailer, visit our website ...

www.bang-olufsen.com

WARNING: To reduce the risk of fire or electric shock, do not expose this appliance to rain or moisture. Do not expose this equipment to dripping or splashing and ensure that no objects filled with liquids, such as vases, are placed on the equipment.

To completely disconnect this equipment from the AC Mains, disconnect the mains plug from the wall socket. The disconnect device shall remain readily operable.



The lightning flash with arrowhead symbol within an equilateral triangle, is intended to alert the user to the presence of uninsulated "dangerous voltage" within the product's enclosure that may be of sufficient magnitude to constitute a risk of electric shock to persons.



The exclamation point within an equilateral triangle is intended to alert the user to the presence of important operating and maintenance (servicing) instructions in the literature accompanying the product.

Important!

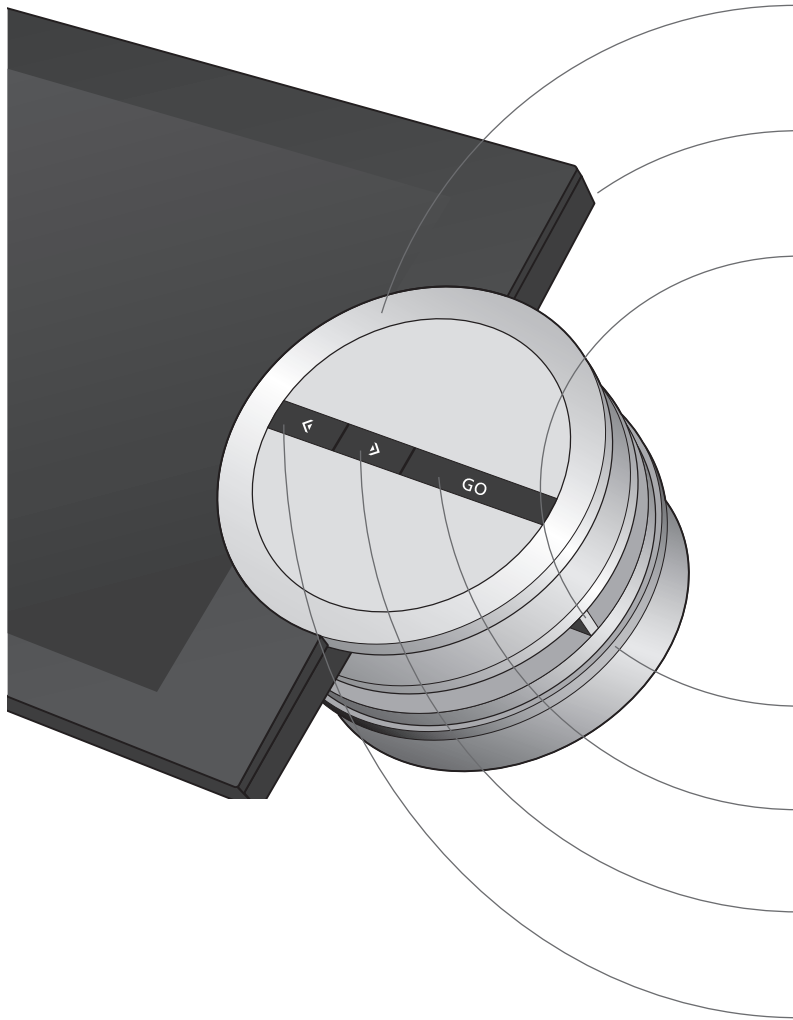
- Avoid placing the product in direct sunlight or direct artificial light, such as a spotlight.
- Make sure that the product is set up, placed and connected in accordance with the instructions.
- Place your product on a firm surface or stand where you want it placed permanently. Use Bang & Olufsen approved stands and wall brackets only!
- Do not place any items on top of your product.
- Do not subject the product to high humidity, rain or sources of heat.
- The product is intended for indoor use in dry, domestic environments only. Use within a temperature range of 10–40°C (50–105°F).
- Leave enough space around the product for adequate ventilation.
- Do not connect any of the products in your system to the mains, until you have connected all the cables.
- Do not attempt to open the product. Leave such operations to qualified service personnel.
- The product can only be switched off completely by disconnecting it from the wall socket.
- The supplied plug and mains cord are specially designed for the product. Do not change the plug and if the mains cord is damaged, you must buy a new one from your Bang & Olufsen retailer.

Contents

- 6 How to use your music system
- 7 The display
- 7 Cleaning
- 8 Listen to your music
- 10 MOTS, play queues and favourites
- 12 Listen to internet radio
- 14 Set up your music system
- 16 Use the CD Ripping Device
- 17 What to do if ...

How to use your music system

The music system is designed for close-up operation. You use the pointer, the wheel and the buttons to operate.



The wheel: Scroll lists of content or browse in menus.

Standby. The standby button is placed on the back of the product.

The pointer: Move the 'laser-beam' between views and menus along the 'Arc' to the left.

Turn to adjust volume.

Activate display. Confirm selection. Play or pause track or bring up sub-menus. Press and hold to bring up options for the item shown.

Close sub-menu or go to next track or station in Player mode. Leave SETTINGS menus without storing.

Open sub-menu or select item. Go to previous track or station in Player mode.

Important

Symbols **Remote control**

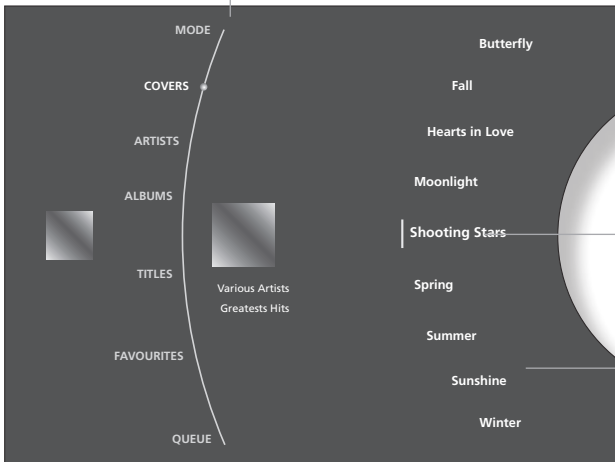
The symbols shown above are used in this Getting Started to explain how to operate the music system. The product can also be operated by remote control. This and more is explained in the Guide found on www.bang-olufsen.com/guides.

Start-up time

The start-up time of your music system depends on the POWER SAVING setting. See the Guide for more information.

The display has two different modes: Browser mode and Player mode. You can do different things when in Player and Browser mode.

The 'Arc' – select items along the Arc with the pointer. White lines next to the cover to the left means that more than one item is added to the play queue.



Browser mode

In Browser mode, you can look through the content on your music system without interrupting playback. You can add music to make your own play queues or 'plant a seed' to auto-generate a MOTS play queue.

The 'Wheel focus' – shows the current selection and focus of operation.

The 'Wheel list' – shows lists of content.

You enter Browser mode by pressing the GO button.



Player mode

In Player mode, you can see what is playing. Use the buttons to pause playback or step to the next/previous track or radio station, and turn the volume wheel to adjust volume. If no cover is available for the chosen music, a default cover is shown.

You can also use a Bang & Olufsen remote control to perform these operations.

MOTS icon – shows that the music playing is generated by MOTS.

The display enters Player mode automatically some time after the last operation. To activate Player mode faster, just move the pointer to the top or bottom of the display.

Cleaning

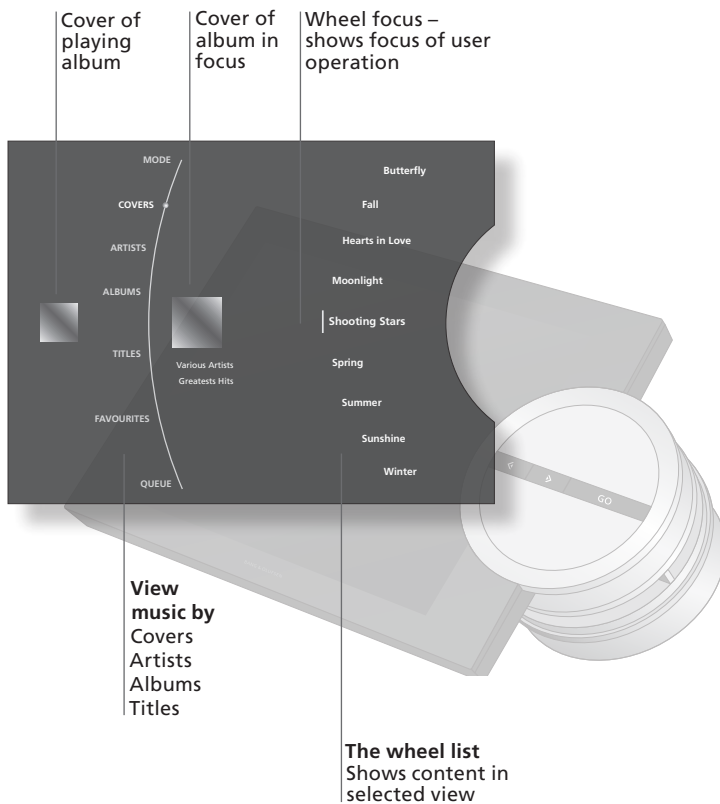
Display Cabinet and controls

Use a soft, dry cloth to wipe dust off the music system. Do not use liquid cleaners or aerosol cleaners. Wipe dust off the surfaces using a dry, soft cloth. To remove stains or dirt, use a soft, damp cloth and a solution of water and mild detergent, such as washing-up liquid.

NOTE! Regular maintenance, such as cleaning, is the responsibility of the user.

Listen to your music

To activate the display from standby, just press the GO button. You can now browse your music collection to find the music you want to listen to.



BeoSound 5 Operation

Start N.MUSIC

The music system starts from the beginning of the last played track.

Browse music

Browse your music without interfering with the current track.

Pause or resume

In Player mode, you can pause or resume playback of the current track.

Play specific track

Select a specific track by artist, album or cover.

Next or previous

In Player mode, you can step to the next or previous track.

Listen to A.AUX source

An external music source can also play through the BeoSound 5*2.

Important information

Remote control Views

Remote control operation is explained in the Guide found on www.bang-olufsen.com/guides. Available views in N.MUSIC are COVERS, ARTISTS, ALBUMS and TITLES. Albums without a cover are shown with a default cover.

* N.MUSIC

Select the 'name' of your music source (A.MEM, CD or N.MUSIC), see the Guide for more information.



Highlight
MODE



Select
N.MUSIC⁺¹



Confirm



Highlight a
view



Browse



Open



Browse



Press once to pause and again
to resume



Highlight a
view



Browse



Open



Browse



Confirm



Previous or next track



Highlight
MODE



Select A.AUX



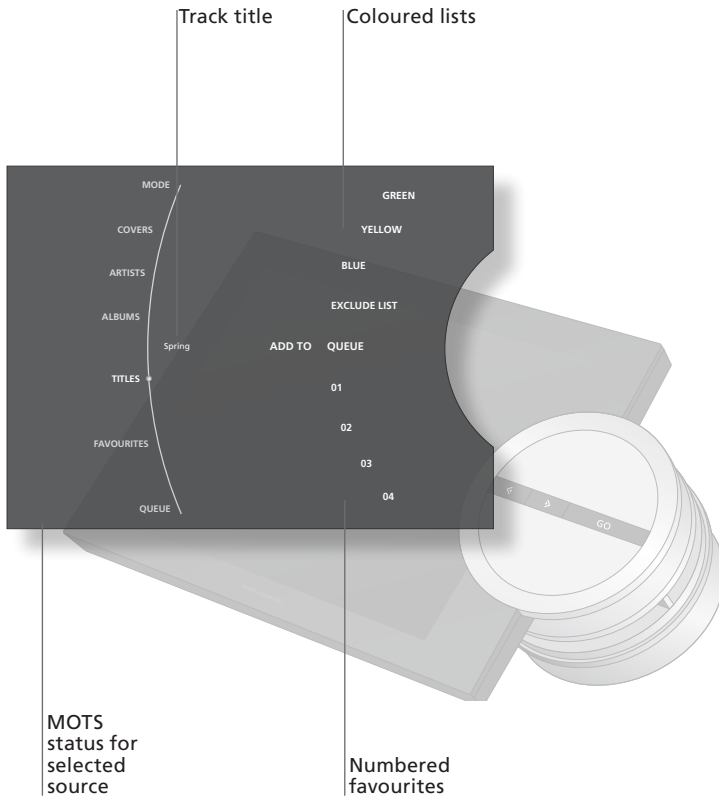
Confirm

Albums When you have selected an album for playback or added an album to the queue, the album is played and the last track is used as MOTS seed.

²***A.AUX** For more information about A.AUX and the possibilities, refer to the Guide.

MOTS, play queues and favourites

You can decide the playback order of your music, or let the music system generate a MOTS play queue for you. The last track you have added to your play queue always serves as a MOTS 'seed'.



BeoSound 5 Operation

Start N.MUSIC

The music system starts from the beginning of the last played track.

Seed MOTS

Use the currently playing track as seed to auto-generate a sequence of similar tracks.*¹

Make a play queue

Add track, album or artist to the play queue.

Play queue

Play from the play queue.*²

Remove from queue





















Remove tracks from the play queue.

Play favourites

Browse in four coloured lists*³ and 99 numbered favourites.*⁴

Information

¹* **MOTS** The idea of MOTS is that you 'plant a seed' by selecting a track, and this seed will then grow into a list of similar music. Once you start playing a track, it will continue to play similar music. To generate a MOTS play queue, the music system always uses the last added track in the play queue. When you listen to an entire album, the last track serves as seed.

				
Highlight MODE	Select N.MUSIC	Confirm		
				
Activate Player mode	Press and hold	Release		
				
Select track, album or artist	Press and hold	Select 'ADD TO QUEUE'	Release	
				
Highlight QUEUE	Select track	Confirm		
				
Highlight QUEUE	Select track to remove	Press and hold to reveal options	Select REMOVE	Release
			or	
Highlight FAVOURITES	Select coloured list	Confirm		Select numbered favourite Confirm

^{2*} Play queue

The play queue shows the list of tracks you have selected for playback.

^{3*} Coloured lists

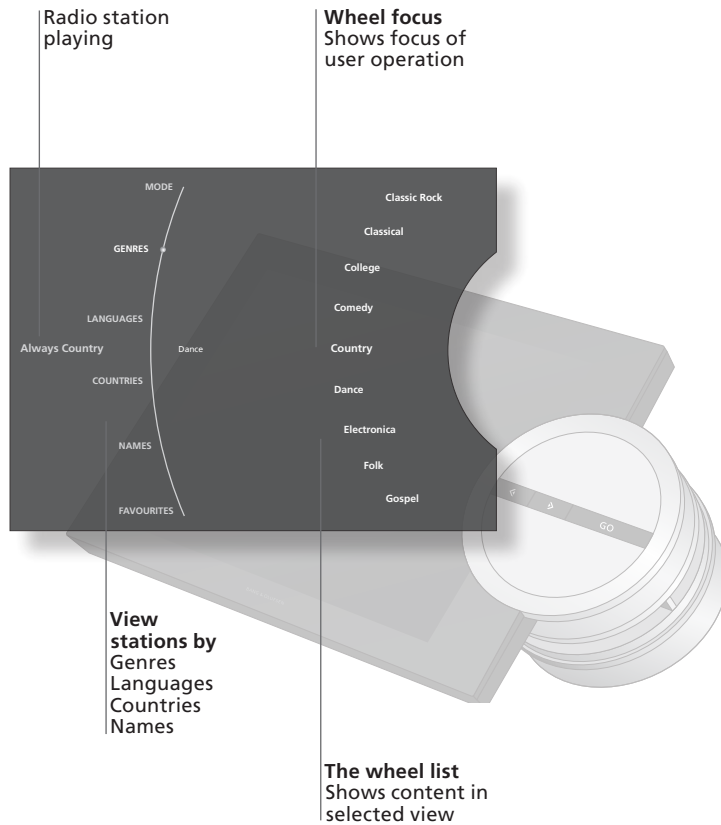
You can place your favourite music in coloured lists to be able to select it quickly with the remote control. Playback stops after the last track in the coloured list.

^{4*} Numbered favourites

If you select a number assigned to a track, the selection serves as MOTS seed. For further information, see the Guide on www.bang-olufsen.com/guides

Listen to internet radio

With internet radio you have easy access to radio stations worldwide.



BeoSound 5 Operation

Start RADIO

The music system starts automatically on the last played station.

Find station by view

Select station by GENRES, LANGUAGES, COUNTRIES or NAMES.

Next or previous

In Player mode, play the next or previous radio station.

Add a station as favourite

Make a radio station a numbered favourite.

Play a favourite

Browse in four coloured lists and 99 numbered favourites.

Information

Internet connection To listen to internet radio, your music system must be connected to the internet.
N.RADIO Select the 'name' of your radio source (RADIO or N.RADIO), see the Guide for more information.



Highlight MODE



Select N.RADIO

GO

Confirm



Highlight a view



Browse



Open



Browse

GO

Select



Move to top or bottom for Player mode



Previous or next station in Player mode



Select radio station

GO

Press and hold



Select 'ADD TO' an available number

GO

Release



Highlight FAVOURITES



Select list or numbered favourite

GO

Play

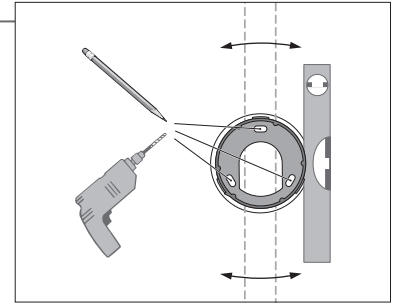
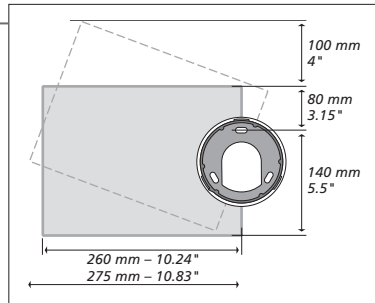
Favourites If you own a Bang & Olufsen remote control, you can use it to play a numbered station immediately, simply press the digit corresponding to the numbered station. To play a specific station in a coloured list, press the coloured button followed by the digit.

NOTE! The radio stations are automatically updated on a regular basis to reflect only the stations currently available.

Set up your music system

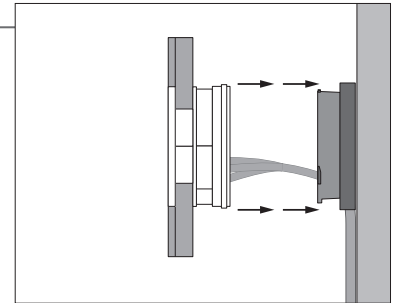
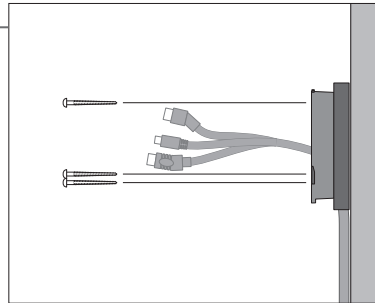
Place the wall bracket

Find the correct place for the music system, before mounting it on the wall. Use the wall bracket and spacer as a template to mark up where to drill the holes.



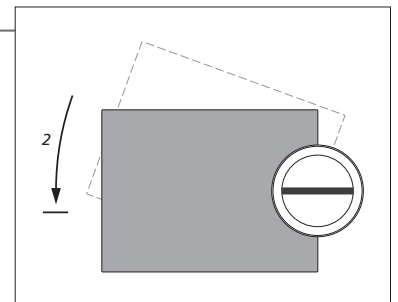
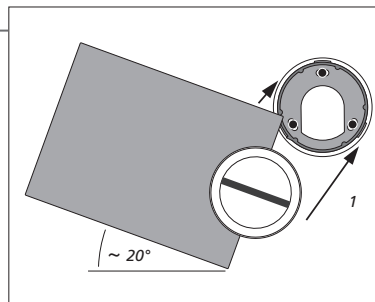
Fasten the wall bracket

Use the correct size and type of screws and wall plugs – taking into account the construction and condition of the wall. Use three screws/fasteners with a minimum load rating of 3.5 kg (8 lbs.). Insert the cables as described on the next page, before you fasten the music system.



Fasten the music system

Align and position the music system on the wall bracket, and then turn the music system gently as far as it will go.



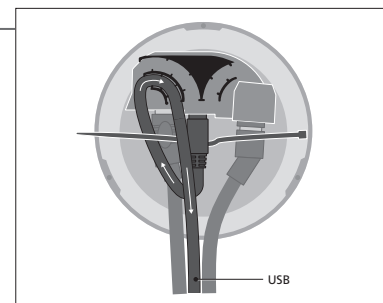
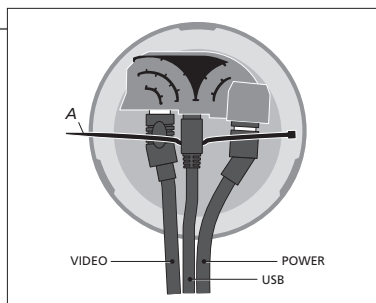
Information

Light partition walls

If you intend to hang the music system on a gypsum wall (also known as drywall or wallboard), the wall bracket must be fastened to a vertical stud. Use one lag screw (5 mm – 0.2"), which penetrates the gypsum, and is screwed a minimum of 25 mm (1") into a vertical stud. For stability, use two additional screws of a type intended for gypsum walls. Mounting was evaluated for use on a drywall surface.

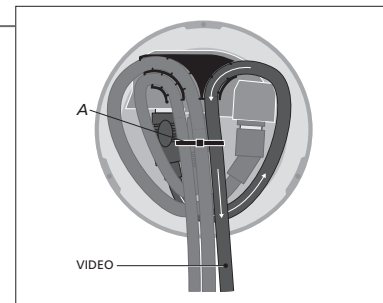
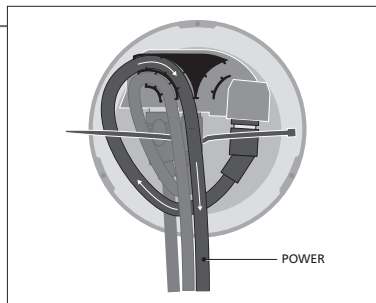
Secure the cables ...

1. Insert the cables (VIDEO, USB and POWER) into the corresponding sockets in the base of the music system. Note: Place a cable binder behind the USB plug (A).
2. Run the USB cable through the cable holder.



...

3. Run the POWER cable under the USB cable and over the VIDEO cable, and then through the cable holder.
4. Run the VIDEO cable under the USB and POWER cables, and then through the cable holder. Finally, to secure the cables, tighten the cable binder (A).



Make basic settings

→ Connect BeoMaster 5 to the mains supply

→ Activate a BeoSound 5 source

→ Follow the on-screen instructions

Mount CD-Rip

For instructions on how to mount the optional CD Ripping Device together with your music system, see the instructions enclosed with the CD Ripping Device.

Note that it should be mounted by a Bang & Olufsen retailer.

Settings For further information about Settings, refer to the Guide on www.bang-olufsen.com/guides. The supplied mains cord and plug are specially designed for the product. If you change the plug or damage the mains cord, you must buy another from your Bang & Olufsen retailer.

NOTE! See the BeoMaster Guide for information about the connections. The music system can only be switched off completely by disconnecting the BeoMaster from the mains.

Use the CD Ripping Device

If your music system is equipped with the optional CD Ripping Device, you can rip your audio CDs and store them on the internal hard disk. Meta data for the CD are automatically added as well, if available.

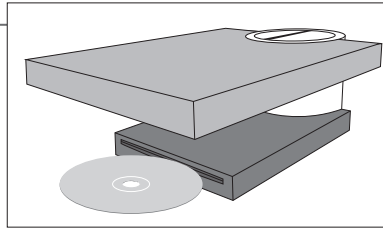
Switch on the CD Ripping Device

If the CD Ripping Device is not set to start up automatically, you must turn the wheel, move the lever or press a button on BeoSound 5 to switch it on.



Rip a CD

Insert the CD in the CD Ripping Device, ripping starts automatically*¹. While ripping, a small icon appears in the lower left corner of the BeoSound 5 display. Depending on the settings for the CD Ripping Device you may have to turn the wheel on BeoSound 5 to switch it on.



The CD is ejected automatically when it has been ripped. The new album is added to the RECENTLY ADDED.

Select meta data

If multiple meta data options are available, you must choose the correct ones before the CD is ripped*².



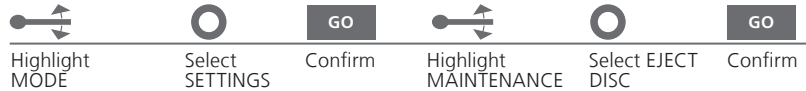
Eject a CD while ripping

You can eject the CD while ripping. Ejecting the CD will interrupt ripping but already ripped tracks are stored on the hard disk.



Eject a CD

You can eject the CD at any time, also when not ripping.



Settings for the CD Ripping Device

You can change when the CD Ripping Device should switch on and if ripping and playback should start automatically. See the Guide for more information.



Information

- ¹* **Automatic rip** Whether or not ripping starts automatically, depends on the AUTO-RIP setting. See the Guide for more information.
- Automatic play** Whether or not the CD is played automatically, depends on the AUTO-PLAY setting. See the Guide for more information.
- ²* **Meta data** If no meta data are available for the CD, it is stored as 'unknown artist' and 'unknown album' and tracks are just numbered.

If you want to ...	Then ...
Change the display language ...	Use the pointer to select MODE, then turn the wheel to select SETTINGS and use the pointer again to highlight SYSTEM SETTINGS. Now turn the wheel to select LANGUAGE and press GO , then turn the wheel to select a language and press GO .
Switch between sources ...	Use the pointer to select MODE. Then turn the wheel to choose between available sources, and press GO to confirm.
Add a track to the play queue ...	Use the pointer to select a view, e.g. Albums. Then turn the wheel to browse in the selected view (use the left arrow < to unfold the view, if necessary) and turn the wheel again to find the track you want to add to the play queue. When the track is selected, press and hold GO , turn the wheel to select ADD TO QUEUE, then release GO .
See the play queue ...	Move the pointer to select QUEUE and the play queue appears in the list to the right.
Clear the play queue ...	Use the pointer to select QUEUE, then turn the wheel to select a random track. Now press and hold GO , turn the wheel to select CLEAR QUEUE and release GO .
Remove a track from the play queue ...	Use the pointer to select QUEUE, then turn the wheel to find the track you wish to remove. Now press and hold GO , turn the wheel to select REMOVE and release GO .
Use a track as MOTS seed ...	The last track in the play queue always serves as MOTS seed. You can also use a numbered favourite as MOTS seed. See page 10.
Re-seed MOTS ...	To replace the current MOTS seed, you can press and hold GO while BeoSound 5 is in player mode, this replaces the MOTS seed with the currently playing track.
Exclude a track from MOTS ...	Use the pointer to select a view, e.g. Albums. Then turn the wheel to browse in the selected view (use the left arrow < to unfold the view, if necessary) and turn the wheel again to find the track you want to exclude from MOTS. Now press and hold GO , turn the wheel to select EXCLUDE and release GO .
Include a track in MOTS again after exclusion ...	Use the pointer to select FAVOURITES. Then turn the wheel to select EXCLUDE LIST and press < . Turn the wheel to select the track you wish to include again. Now press and hold GO , turn the wheel to select REMOVE and release GO .
Make a coloured list ...	Turn the wheel to find the item (track, album, artist or radio station), you wish to add to a coloured list. Then press and hold GO , turn the wheel to select a colour and release GO .
Play a coloured list ...	Activate N.MUSIC. Use the pointer to select FAVOURITES. Turn the wheel to coloured list you want and press GO .

Important information

Guide To learn more about your music system, look up the Guide on www.bang-olufsen.com/guides or see the FAQ section on our website.

CE This product is in conformity with the provisions of the Directives 2004/108/EC and 2006/95/EC.

Hereby Bang & Olufsen declares compliance with the essential requirements and other relevant provisions of Directive 2009/125/EC (ErP), Directive 2004/108/EC (EMC) and Directive 2006/95/EC (LVD). The Declaration of Conformity may be obtained by consulting Bang & Olufsen.

This product incorporates copyright protection technology that is protected by U.S. patents and other intellectual property rights. Use of this copyright protection technology must be authorized by Rovi, and is intended for home and other limited viewing uses only unless otherwise authorized by Rovi. Reverse engineering or disassembly is prohibited.

HDMI, the HDMI logo and High-Definition Multimedia Interface are trademarks or registered trademarks of HDMI Licensing LLC.

Waste Electrical and Electronic Equipment (WEEE) – Environmental protection



All Bang & Olufsen products comply with applicable environmental legislation throughout the world.

Bang & Olufsen cannot vouch for the quality of net radio stations available from programme providers.

For the US-market only!

Changes or modifications not expressly approved by the party responsible for compliance could void the user's authority to operate the equipment.

This device complies with part 15 of the FCC Rules. Operation is subject to the following two conditions: (1) this device may not cause harmful interference, and (2) this device must accept any interference received, including interference that may cause undesired operation.

NOTE: This equipment has been tested and found to comply with the limits for a class B digital device, pursuant to part 15 of the FCC Rules. These limits are designed to provide reasonable protection against harmful interference in a residential installation. This equipment generates, uses and can radiate radio frequency energy and, if not installed and used in accordance with the instructions, may cause harmful interference to

Electrical and electronic equipment, parts and batteries marked with this symbol must not be disposed of with normal household wastage; all electrical and electronic equipment, parts and batteries must be collected and disposed of separately.

When disposing of electrical and electronic equipment and batteries by use of the collection systems available in your country, you protect the environment, human health and contribute to the prudent and rational use of natural resources. Collecting electrical and electronic equipment, batteries and waste prevents the potential

radio communications. However, there is no guarantee that interference will not occur in a particular installation. If this equipment does cause harmful interference to radio or television reception, which can be determined by turning the equipment off and on, the user is encouraged to try to correct the interference by one or more of the following measures:

- Reorient or relocate the receiving antenna.
- Increase the separation between the equipment and receiver.
- Connect the equipment into an outlet on a circuit different from that to which the receiver is connected.
- Consult the retailer or an experienced radio/TV technician for help.

For the Canadian market only!

This class B digital apparatus meets all requirements of the Canadian Interference-Causing Equipment Regulations.

contamination of nature with the hazardous substances which may be present in electrical and electronic products and equipment. Your Bang & Olufsen retailer will advise you of the correct way of disposal in your country.

If a product is too small to be marked with the symbol, it will appear in the User guide, on the Guarantee certificate, or on the packaging.



351061611100001

